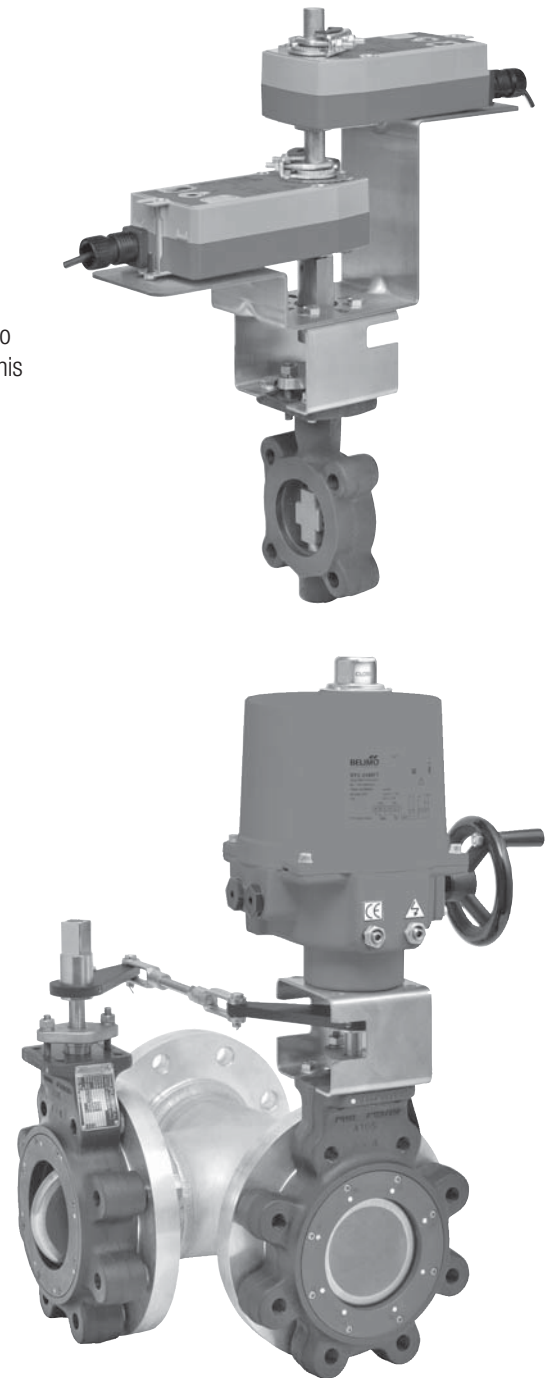


# Butterfly Valve Retrofit Solutions

- Full range of kits for 2-way and 3-way valve assemblies.
- Visual stroke indicators allow quick installation.
- Linkages can be mounted in any orientation except upside down.
- NEMA 2 and NEMA 4 options available.

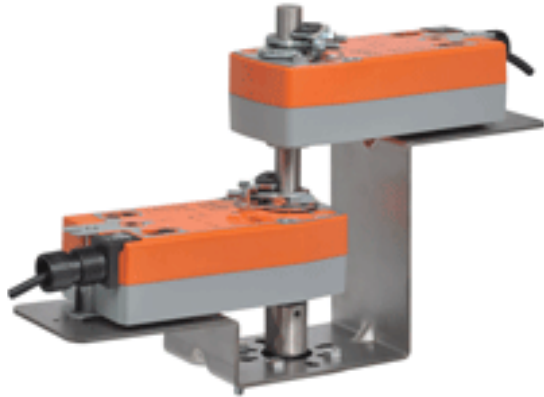
## Applications

UFLK and UFSP butterfly retrofit solutions are designed to easily attach to the valve mounting pad of competitor valves utilizing Belimo actuators. This kit will help to restore service without removal of the valve, saving down time and money.



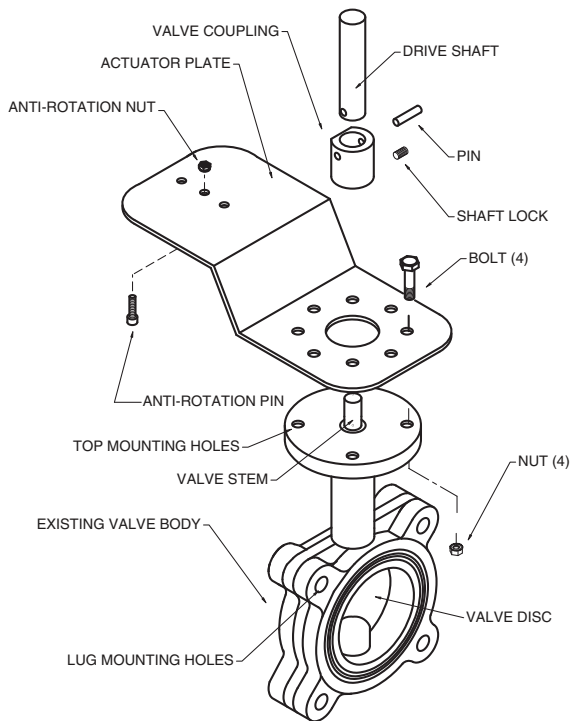
# UFLK.../UFSP... Retrofit Linkage for Butterfly Valves

For 2-Way AF and GM Series Actuators



Technical Data		UFLK... / UFSP
Materials:		
Plate		stainless steel
Coupling		stainless steel
Shafts		stainless steel
Mounting position		360° mountable
Ambient temperature		-22°F to +122°F [-30°C to +50°C]
Storage temperature		-40°F to +176°F [-40°C to +80°C]
Servicing		chilled or hot water max steam inlet 50 psi
Weight		4.8 lbs [2.2 kg]

## UFLK / UFSP Parts Breakdown- Single Shown



## Application

The UFLK/UFSP retrofit kit is designed to easily attach to the valve mounting pad on select 2-way competitor valves utilizing Belimo AF and GM series actuators. This kit will help to restore service without removal of the valve, saving down time. The UFLK/UFSP retrofit kit is available in various configurations for use with both 2-way and 3-way valves utilizing single or dual actuation.

## Default/Configuration

The actuator is sold separately from the linkage. This allows users to select any actuator with the desired control signal. Since the linkage utilizes standard air-side actuators, they can be purchased at any time and mounted in the field.

## Operation

The UFLK/UFSP and mounted actuator(s) are capable of rotating 95° in both CW and CCW directions. This allows the disc to fully open or close. When directional needs vary, the actuators can be flipped or directional switch turned to a new rotation. Refer to the actuator wiring guides on Master/Slave wiring for dual mounted actuators.

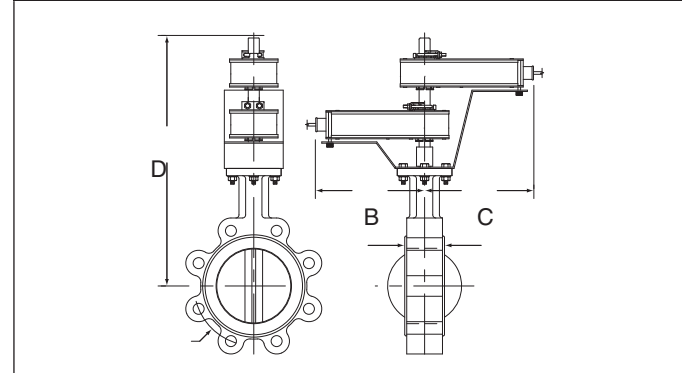
Suitable Actuators	Close-Off Ranges
AF Series	50-200 psi
GM Series	50-300 psi
GK Series	50-300 psi
2*AF Series	50-300 psi
2*GM Series	50-740 psi
2*GK Series	50-740 psi

## Competitor Valves\*\*

Bray	Victaulic	Nibco
PDC	Keystone	Flowseal
Centerline	JCI	Milwaukee

\*\*Consult pages 144-156 of the Retrofit Technical Documentation and/or SelectPro for close-off pressures a cross reference of each valve.

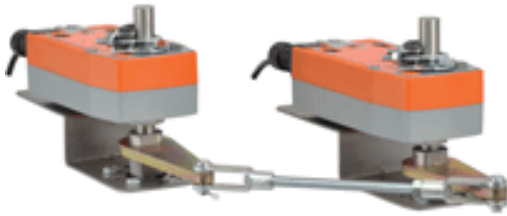
## UFLK / UFSP Dual Shown



## Maximum Dimensions (Inches)

Size	B	C	D(Max)	Actuator
2"	9	9	19.5	AF/GK
2"	7	7	15	AMB(X)
2½"	9	9	20	AF
2½"	9	9	20	2*AF/2*GK
2½"	7	7	15.5	AMB(X)
3"	7	7	16	AMB(X)
3"	8	8	16	GMB(X)
3"	9	9	20.5	2*AF/2*GK
4"	8	8	17	GMB(X)
4"	9	9	21	2*AF/2*GK
4"	8	8	21	2*GMB(X)
5"	8	8	17.5	GMB(X)
5"	9	9	22	2*AF/2*GK
6"	8	8	22.5	GMB(X)

Tech.Doc - 07/14 - Subject to change. © Belimo Aircontrols (USA), Inc.



Technical Data	UFLK... / UFSP
Materials:	
Bracket	stainless steel
Couplings	stainless steel
Crank arms	steel
Yoke	steel
Rod	steel
Mounting position	configuration specific (X10-X35)
Ambient temperature	-22°F to +122°F [-30°C to +50°C]
Storage temperature	-40°F to +176°F [-40°C to +80°C]
Servicing	chilled or hot water
Weight	7 lbs [3.2 kg]

### Application

The UFLK/UFSP retrofit kit is designed to easily attach to the valve mounting pad on select 3-way competitor valves utilizing Belimo AF and GM series actuators. This kit will help to restore service without removal of the valve, saving down time. The UFLK/UFSP retrofit kit is available in various configurations for use with both 2-way and 3-way valves utilizing single or dual actuation.

### Default/Configuration

The actuator is sold separately from the linkage. This allows users to select any actuator with the desired control signal. Since the linkage utilizes standard air-side actuators, they can be purchased at any time and mounted in the field.

### Operation

The UFLK/UFSP and mounted actuator(s) are capable of rotating 95° in both CW and CCW directions. This allows the disc to fully open or close. When directional needs vary, the actuators can be flipped or directional switch turned to a new rotation. Refer to the actuator wiring guides on Master/Slave wiring for dual mounted actuators.

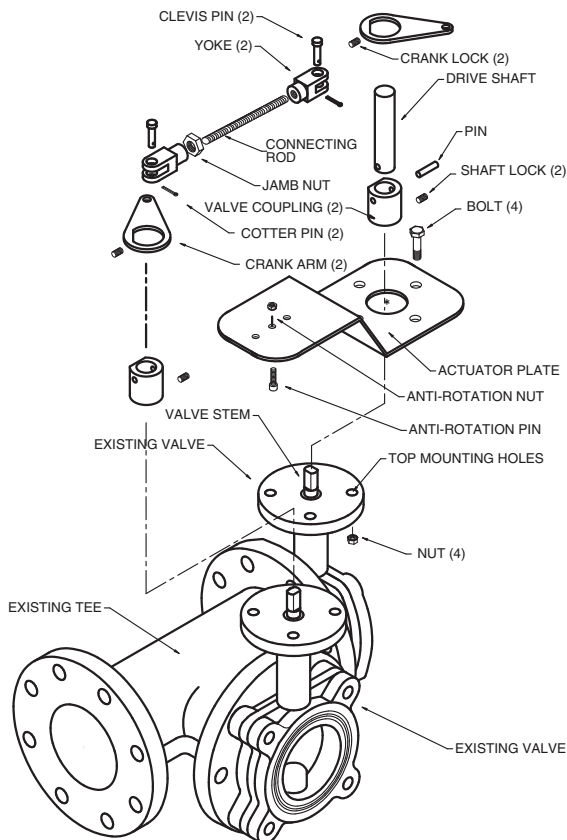
Suitable Actuators	Close-Off Ranges
AF Series	50-200 psi
GM Series	50-300 psi
GK Series	50-300 psi
2*AF Series	50-300 psi
2*GM Series	50-740 psi
2*GK Series	50-740 psi

### Competitor Valves\*\*

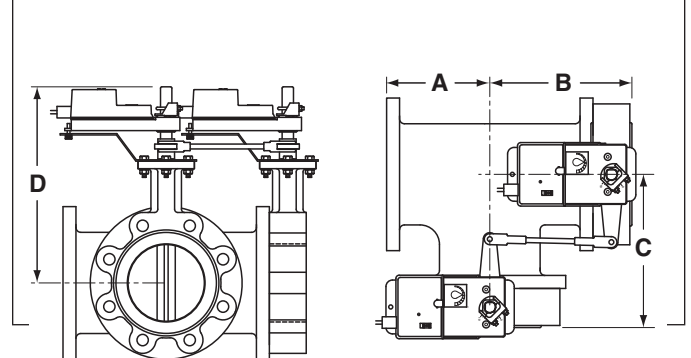
Bray	Victaulic	Nibco
PDC	Keystone	Flowseal
Centerline	JCI	Milwaukee

\*\*Consult pages 144-156 of the Retrofit Technical Documentation and/or SelectPro for close-off pressures a cross reference of each valve.

### UFLK / UFSP Parts Breakdown- Single Shown



### UFLK / UFSP Dual Shown



### Maximum Dimensions (Inches)

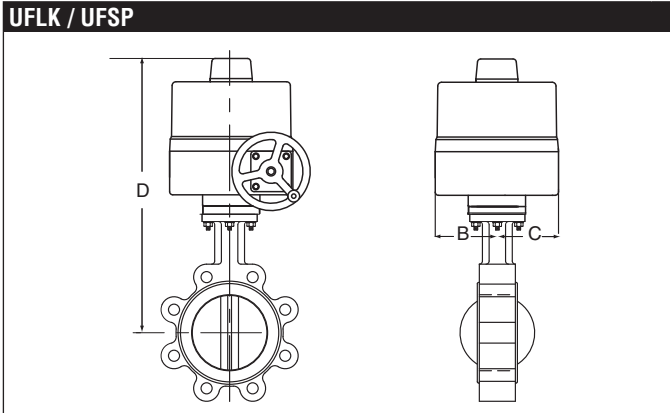
Size	A	B	C	D(Max)	Actuator
2"	7	9	9	19.5	AF/GK
2"	5	7	7	15	AMB(X)
2½"	7	9	9	20	AF
2½"	7	9	9	20	2*AF/2*GK
2½"	5	7	7	15.5	AMB(X)
3"	5	7	7	16	AMB(X)
3"	6	8	8	16	GMB(X)
3"	7	9	9	20.5	2*AF/2*GK
4"	6	8	8	17	GMB(X)
4"	7	9	9	21	2*AF/ 2*GK
4"	6	8	8	21	2*GMB(X)
5"	6	8	8	17.5	GMB(X)
5"	7	9	9	22	2*AF/ 2*GK
6"	6	8	8	22.5	GMB(X)

# UFLK.../UFSP... Retrofit Linkage for Butterfly Valves

For 2-Way SY Industrial Series Actuators



Technical Data	UFLK... / UFSP
Materials:	
Bracket	stainless steel
Couplings	stainless steel
Crank arms	steel
Yoke	steel
Rod	steel
Mounting position	360° mountable
Ambient temperature	-22°F to +122°F [-30°C to +50°C]
Storage temperature	-40°F to +176°F [-40°C to +80°C]
Servicing	chilled or hot water
Weight	7 lbs [3.2 kg]



Maximum Dimensions (Inches)				
Size	B	C	D(Max)	Actuator
2"	6.15	6.15	15.5	SY1...
2"	6.15	6.15	20.25	SY2...
2½"	6.76	6.76	16	SY1...
2½"	6.76	6.76	20.75	SY2...
3"	7.28	7.28	21	SY2...
4"	8.55	8.55	21.75	SY2...
5"	9.64	9.64	22.25	SY2...
5"	9.64	9.64	22.25	SY3...
6"	10.19	10.19	22.75	SY2...
6"	10.19	10.19	22.75	SY3...
8"	11.37	11.37	24.25	SY3...
8"	11.37	11.37	29	SY4...
10"	13.58	13.58	30	SY4...
12"	15.01	15.01	32	SY4...
12"	15.01	15.01	32	SY5...
14"	17.02	17.02	33	SY6...
16"	18.39	18.39	38.5	SY7...
18"	20.63	20.63	39.5	SY9...
20"	23	23	41.5	SY9...
24"	27.9	27.9	53.25	SY12...

## Application

The UFLK/UFSP retrofit kit is designed to easily attach to the valve mounting pad on select 2-way competitor valves utilizing Belimo SY industrial series actuators. This kit will help to restore service without removal of the valve, saving down time. The UFLK/UFSP retrofit kit is available in various configurations for use with both 2-way and 3-way valves.

## Default/Configuration

The actuator is sold separately from the linkage. This allows users to select any actuator with the desired control signal. Since the linkage utilizes standard SY actuators, they can be purchased at any time and mounted in the field.

## Operation

The UFLK/UFSP and mounted actuator(s) are capable of rotating 95° in both CW and CCW directions. This allows the disc to fully open or close. When directional needs vary, the actuator's directional switch can be flipped to change the rotation. The SY is NEMA 4 rated and can be used outdoors.

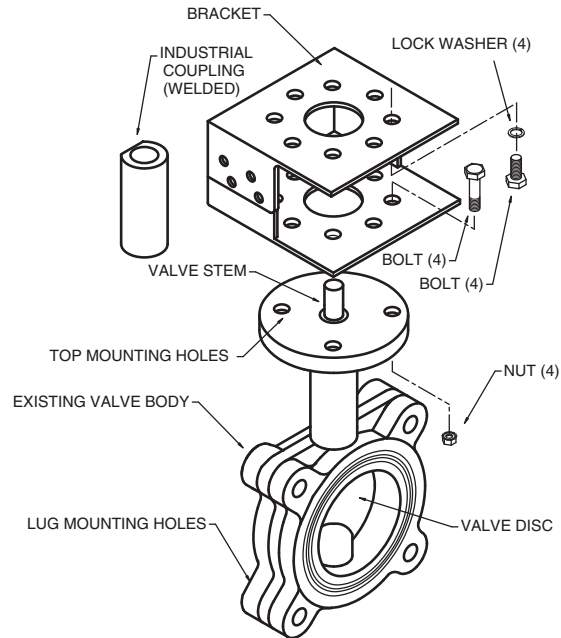
Suitable Actuators	Close-Off Ranges
SY1 Series	50-300 psi
SY2 Series	50-740 psi
SY3-SY4 Series	50-780 psi
SY5 Series	150-300 psi
SY6-SY12 Series	150-780 psi

## Competitor Valves\*\*

Bray	Victaulic	Nibco
PDC	Keystone	Flowseal
Centerline	JCI	Milwaukee

\*\*Consult pages 144-156 of the Retrofit Technical Documentation and/or SelectPro for close-off pressures a cross reference of each valve.

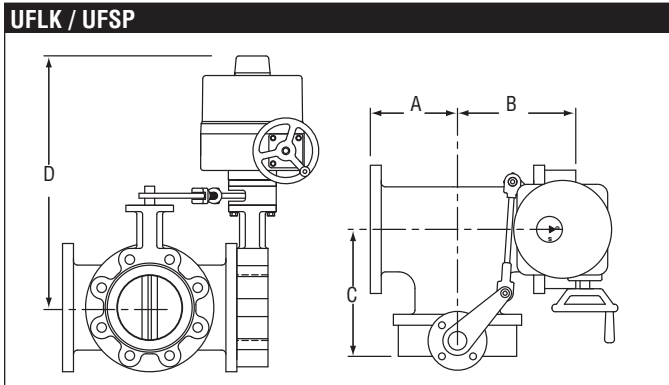
## UFLK / UFSP Parts Breakdown



Tech.Doc - 07/14 - Subject to change. © Belimo Aircontrols (USA), Inc.



Technical Data		UFLK... / UFSP
Materials:		
Bracket		stainless steel
Couplings		stainless steel
Crank arms		steel
Yoke		steel
Rod		steel
Mounting position		configuration specific (X10-X35)
Ambient temperature		-22°F to +122°F [-30°C to +50°C]
Storage temperature		-40°F to +176°F [-40°C to +80°C]
Servicing		chilled or hot water
Weight		12.6 lbs [5.73 kg]



Maximum Dimensions (Inches)					
Size	A	B	C	D(Max)	Actuator
2"	4.15	6.15	6.15	15.5	SY1...
2"	4.15	6.15	6.15	20.25	SY2...
2½"	4.76	6.76	6.76	16	SY1...
2½"	4.76	6.76	6.76	20.75	SY2...
3"	5.28	7.28	7.28	21	SY2...
4"	6.55	8.55	8.55	21.75	SY2...
5"	7.64	9.64	9.64	22.25	SY2...
5"	7.64	9.64	9.64	22.25	SY3...
6"	8.19	10.19	10.19	22.75	SY2...
6"	8.19	10.19	10.19	22.75	SY3...
8"	9.37	11.37	11.37	24.25	SY3...
8"	9.37	11.37	11.37	29	SY4...
10"	11.58	13.58	13.58	30	SY4...
12"	13.01	15.01	15.01	32	SY4...
12"	13.01	15.01	15.01	32	SY5...
14"	15.02	17.02	17.02	33	SY6...
16"	16.39	18.39	18.39	38.5	SY7...
18"	18.63	20.63	20.63	39.5	SY9...
20"	21	23	23	41.5	SY9...
24"	25.9	27.9	27.9	53.25	SY12...

### Application

The UFLK/UFSP retrofit kit is designed to easily attach to the valve mounting pad on select 3-way competitor valves utilizing Belimo SY industrial series actuators. This kit will help to restore service without removal of the valve, saving down time. The UFLK/UFSP retrofit kit is available in various configurations for use with both 2-way and 3-way valves.

### Default/Configuration

The actuator is sold separately from the linkage. This allows users to select any actuator with the desired control signal. Since the linkage utilizes standard SY actuators, they can be purchased at any time and mounted in the field.

### Operation

The UFLK/UFSP and mounted actuator(s) are capable of rotating 95° in both CW and CCW directions. This allows the disc to fully open or close. When directional needs vary, the actuator's directional switch can be flipped to change the rotation. The SY is NEMA 4 rated and can be used outdoors.

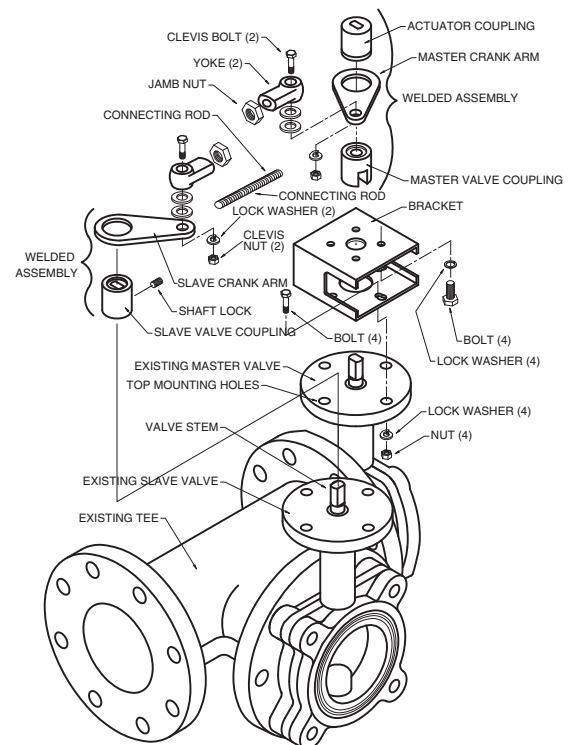
Suitable Actuators	Close-Off Ranges
SY1 Series	50-285 psi
SY2 Series	50-200 psi
SY3-SY4 Series	50-780 psi
SY5 Series	150-300 psi
SY6-SY12 Series	150-780 psi

### Competitor Valves\*\*

Bray	Victaulic	Nibco
PDC	Keystone	Flowseal
Centerline	JCI	Milwaukee

\*\*Consult pages 144-156 of the Retrofit Technical Documentation and/or SelectPro for close-off pressures a cross reference of each valve.

### UFLK / UFSP Parts Breakdown



# How to Select a Butterfly Valve Retrofit Solution

Follow the four steps listed below when ordering a butterfly valve retrofit kit.

**Example:** Centerline C200 Series, 2½” valve, using a **Non-Spring Return** Belimo actuator.

- 1** Identify the **Valve Manufacturer, Valve Series** and **Valve Size**.
- 2** Determine the type of actuator you require: Belimo Spring Return, Non-Spring or SY Series Industrial. Belimo Spring and Non-Spring actuators are typically only available on smaller sizes.  
Look at the solution using the Non-Spring Return Belimo Actuator. Looking at the **UFLK3500**, the **GM** Series actuator will provide a **200 psi close-off** for the **2½” valve** with **Non-Spring Return** actuation.
- 3** Use the actuator listings to make your final actuator selection. Decide between **GMB24-3-X1** and **GMB24-MFT-X1**.  
**ACTUATOR NOT INCLUDED IN THE LIST PRICE OF THE LINKAGE.**

- 4** HOW TO ORDER: **Item 1 1pc UFLK3500**  
**Item 2 1pc GMB24-MFT-X1**



**1** Select linkage solution based on the **Valve Number, Configuration, and Size**; select the proper **Linkage Solution** for your valve.

**Centerline**  
C200 Round Top Series Butterfly Valves  
Linkage/Actuator Selection Guide

Valve Body Model	Valve Configuration	Size	Failsafe	Close-Off psi	Belimo Actuator Series	Belimo Linkage
C200 Round Top Series Butterfly Valves	2-way	2”	No	200	AM	UFLK3500
					SY1	UFLK3538
					SY2	UFLK3540
		Yes	200	AF	UFLK3500	
		2½”	No	200	GM	UFLK3500
					SY1	UFLK3538
				SY2	UFLK3540	
	3”	Yes	200	2*AF	UFLK3502	
				GK	UFLK3500	
				GM	UFLK3500	
		No	200	SY1	UFLK3538	
				SY2	UFLK3540	
2*AF				UFLK3502		
Yes	200	GK	UFLK3500			

**UFLK1300**  
Example: **Centerline C200 Series, 2½” valve** using a **non-spring return** Belimo actuation.  
Choose correct linkage **UFLK3500**.

- 2** Verify close-off is suitable for application.  
Looking at the **UFLK3500**, the **GM** Series actuator will provide **200 psi close-off** for the **2½” valve**.

- 3** Select actuator based on needed control type.  
Decide between **GMB24-3-X1** and **GMB24-MFT-X1**.

BASIC PRODUCTS

Model	Control Input	Feedback	Power Supply	Running Time(s) [Default]	VA Rating	Auxiliary Switch	Cable Length
GMB24-3-X1	On/Off, Floating Point	Add-on	24 VAC/DC	150 seconds	6	Add-on	3 ft.
GMB24-SR	2-10 VDC (4-20 mA*)	2-10 VDC	24 VAC/DC	150 seconds	6.5	Add-on	3 ft.
GMB24-MFT-X1	2-10 VDC	2-10 VDC	24 VAC/DC	150 seconds	7	Add-on	3 ft.

◆ Variable with MFT  
‡ Prices do not reflect additional programming code surcharge.  
NOTE: 10' and 16' cables are available with a \$28.00 and \$48.00 adder except for the PC and MFT95 version, which are only available with a 3' cable.

- 4** Complete Ordering Example:  
Item 1: **UFLK3500**  
Item 2: **GMB24-MFT-X1**



### SY ACTUATORS

SERIES	MODEL	Run Time(s) 90°@60Hz	Power Supply	Duty Cycle	CONTROL TYPE			Feedback
					Proportional	3 Point	On/Off	
SY1	SY1-110	11 seconds	120 VAC ±10%, 50/60 Hz	30%		•	•	none, opt 1k
	SY1-24	20 seconds	24 VAC ±10%, 50/60 Hz	30%		•	•	none, opt 1k
	SY1-220	10 seconds	230 VAC ±10%, 50/60 Hz	30%		•	•	none, opt 1k
	SY1-110P	16 seconds	120 VAC ±10%, 50/60 Hz	75%	•			2-10 VDC/4-20 mA
	SY1-24P	15 seconds	24 VAC ±10%, 50/60 Hz	75%	•			2-10 VDC/4-20 mA
SY2	SY1-220P	16 seconds	230 VAC ±10%, 50/60 Hz	75%	•			2-10 VDC/4-20 mA
	SY2-110	16 seconds	120 VAC ±10%, 50/60 Hz	30%		•	•	none, opt 1k
	SY2-24	16 seconds	24 VAC ±10%, 50/60 Hz	30%		•	•	none, opt 1k
	SY2-220	16 seconds	230 VAC ±10%, 50/60 Hz	30%		•	•	none, opt 1k
	SY2-120MFT	17 seconds	120 VAC ±10%, 50/60 Hz	75%	•			2-10 VDC/4-20 mA
SY3	SY2-24MFT	15 seconds	24 VAC ±10%, 50/60 Hz	75%	•			2-10 VDC/4-20 mA
	SY2-230MFT	17 seconds	230 VAC ±10%, 50/60 Hz	75%	•			2-10 VDC/4-20 mA
	SY3-110	24 seconds	120 VAC ±10%, 50/60 Hz	30%		•	•	none, opt 1k
	SY3-24	24 seconds	24 VAC ±10%, 50/60 Hz	30%		•	•	none, opt 1k
	SY3-220	25 seconds	230 VAC ±10%, 50/60 Hz	30%		•	•	none, opt 1k
SY4	SY3-24MFT	22 seconds	24 VAC ±10%, 50/60 Hz	75%	•			2-10 VDC/4-20 mA
	SY3-120MFT	26 seconds	120 VAC ±10%, 50/60 Hz	75%	•			2-10 VDC/4-20 mA
	SY3-230MFT	26 seconds	230 VAC ±10%, 50/60 Hz	75%	•			2-10 VDC/4-20 mA
	SY4-110	18 seconds	120 VAC ±10%, 50/60 Hz	30%		•	•	none, opt 1k
	SY4-24	25 seconds	24 VAC ±10%, 50/60 Hz	30%		•	•	none, opt 1k
SY5	SY4-220	18 seconds	230 VAC ±10%, 50/60 Hz	30%		•	•	none, opt 1k
	SY4-24MFT	16 seconds	24 VAC ±10%, 50/60 Hz	75%	•			2-10 VDC/4-20 mA
	SY4-120MFT	18 seconds	120 VAC ±10%, 50/60 Hz	75%	•			2-10 VDC/4-20 mA
	SY4-230MFT	18 seconds	230 VAC ±10%, 50/60 Hz	75%	•			2-10 VDC/4-20 mA
	SY5-110	25 seconds	120 VAC ±10%, 50/60 Hz	30%		•	•	none, opt 1k
SY6	SY5-24	37 seconds	24 VAC ±10%, 50/60 Hz	30%		•	•	none, opt 1k
	SY5-220	25 seconds	230 VAC ±10%, 50/60 Hz	30%		•	•	none, opt 1k
	SY5-24MFT	22 seconds	24 VAC ±10%, 50/60 Hz	75%	•			2-10 VDC/4-20 mA
	SY5-120MFT	25 seconds	120 VAC ±10%, 50/60 Hz	75%	•			2-10 VDC/4-20 mA
	SY5-230MFT	25 seconds	230 VAC ±10%, 50/60 Hz	75%	•			2-10 VDC/4-20 mA
SY7	SY6-110	29 seconds	120 VAC ±10%, 50/60 Hz	30%		•	•	none, opt 1k
	SY6-220	28 seconds	230 VAC ±10%, 50/60 Hz	30%		•	•	none, opt 1k
	SY6-120MFT	31 seconds	120 VAC ±10%, 50/60 Hz	75%	•			2-10 VDC/4-20 mA
	SY6-230MFT	31 seconds	230 VAC ±10%, 50/60 Hz	75%	•			2-10 VDC/4-20 mA
	SY7-110	54 seconds	120 VAC ±10%, 50/60 Hz	30%		•	•	none, opt 1k
SY8	SY7-220	54 seconds	230 VAC ±10%, 50/60 Hz	30%		•	•	none, opt 1k
	SY7-120MFT	55 seconds	120 VAC ±10%, 50/60 Hz	75%	•			2-10 VDC/4-20 mA
	SY7-230MFT	55 seconds	230 VAC ±10%, 50/60 Hz	75%	•			2-10 VDC/4-20 mA
	SY8-110	58 seconds	120 VAC ±10%, 50/60 Hz	30%		•	•	none, opt 1k
	SY8-220	55 seconds	230 VAC ±10%, 50/60 Hz	30%		•	•	none, opt 1k
SY9	SY8-120MFT	55 seconds	120 VAC ±10%, 50/60 Hz	75%	•			2-10 VDC/4-20 mA
	SY8-230MFT	55 seconds	230 VAC ±10%, 50/60 Hz	75%	•			2-10 VDC/4-20 mA
	SY9-110	62 seconds	120 VAC ±10%, 50/60 Hz	30%		•	•	none, opt 1k
	SY9-220	63 seconds	230 VAC ±10%, 50/60 Hz	30%		•	•	none, opt 1k
	SY9-120MFT	70 seconds	120 VAC ±10%, 50/60 Hz	50%	•			2-10 VDC/4-20 mA
SY10	SY9-230MFT	70 seconds	230 VAC ±10%, 50/60 Hz	50%	•			2-10 VDC/4-20 mA
	SY10-110	63 seconds	120 VAC ±10%, 50/60 Hz	30%		•	•	none, opt 1k
	SY10-220	64 seconds	230 VAC ±10%, 50/60 Hz	30%		•	•	none, opt 1k
	SY10-120MFT	70 seconds	120 VAC ±10%, 50/60 Hz	50%	•			2-10 VDC/4-20 mA
	SY10-230MFT	70 seconds	230 VAC ±10%, 50/60 Hz	50%	•			2-10 VDC/4-20 mA
SY11	SY11-110	65 seconds	120 VAC ±10%, 50/60 Hz	30%		•	•	none, opt 1k
	SY11-220	64 seconds	230 VAC ±10%, 50/60 Hz	30%		•	•	none, opt 1k
	SY11-120MFT	70 seconds	120 VAC ±10%, 50/60 Hz	50%	•			2-10 VDC/4-20 mA
	SY11-230MFT	70 seconds	230 VAC ±10%, 50/60 Hz	50%	•			2-10 VDC/4-20 mA
	SY12-110	65 seconds	120 VAC ±10%, 50/60 Hz	30%		•	•	none, opt 1k
SY12	SY12-220	63 seconds	230 VAC ±10%, 50/60 Hz	30%		•	•	none, opt 1k
	SY12-120MFT	70 seconds	120 VAC ±10%, 50/60 Hz	50%	•			2-10 VDC/4-20 mA
	SY12-230MFT	70 seconds	230 VAC ±10%, 50/60 Hz	50%	•			2-10 VDC/4-20 mA

Proportional actuators will accept 0-10 VDC, 2-10 VDC, or 4-20 mA control signals as standard.  
 All SY actuators are non-spring return, but can be used with NSV-SY back up systems for fail-safe applications.  
 These products carry a two year warranty when sold as part of an assembly or with a UFLK retrofit kit.

Tech.Doc - 07/14 - Subject to change. © Belimo Aircontrols (USA), Inc.

# Butterfly Valve Retrofit Actuators

## Actuator Selection Guide



### ROTARY ACTUATORS

SERIES	MODEL	Spring Return	Electronic Fail-Safe	Tandem Mounting Available	Control Input	Feedback Position	Power Supply
AF Series*	AFBUP-X1	•		•	On/Off	-	24-240 VAC
	AFX24-MFT-X1	•		•	Variable with MFT (VDC, PWM, Floating Point, On/Off)	variable VDC	24 VAC/DC
AM Series*	AMB24-3-X1				Floating Point, On/Off	-	24 VAC/DC
	AMX24-MFT-X1				Variable with MFT (VDC, PWM, Floating Point, On/Off)	variable VDC	24 VAC/DC
GM Series*	GMB24-3-X1				Floating Point, On/Off	-	24 VAC/DC
	GMX24-MFT-X1			•	Variable with MFT (VDC, PWM, Floating Point, On/Off)	variable VDC	24 VAC/DC
GK Series*	GKB24-3-X1		•		Floating Point, On/Off	-	24 VAC
	GKX24-MFT-X1		•	•	Variable with MFT (VDC, PWM, Floating Point, On/Off)	variable VDC	24 VAC/DC

\*Please consult the Damper sections for a full list of product offerings. Standard run times should be considered in the selection. All air side products are applicable for retrofit kits. Select "X1" actuators come with a handle.

### MULTI-FUNCTION TECHNOLOGY

ROTARY ACTUATOR CODES	P-CODE		Control Input	Running Time	Built-in Feedback
	P-10001	A01	2-10 VDC	150 seconds	2-10 VDC
	P-10002	A02	0-10 VDC	150 seconds	0-10 VDC
	P-10028	A28	0-10 VDC	150 seconds	0-10 VDC
	P-10063	A63	0.5-4.5 VDC	150 seconds	0.5-4.5 VDC
	P-10064	A64	5.5-10 VDC	150 seconds	5.5-10 VDC
	P-20002	W02	0.02-5.00 seconds PWM	150 seconds	2-10 VDC
	P-20003	W03	0.10-25.5 seconds PWM	150 seconds	2-10 VDC
	P-30001	F01	Floating Point	150 seconds	2-10 VDC
P-40002	J02	On/Off	150 seconds	2-10 VDC	

### SY MULTI-FUNCTION TECHNOLOGY

Description	MFT-CODE	Control Input	Built-in Feedback	Loss of Signal	Running Time
MFT	ACE	2-10 VDC	2-10 VDC	stop	actuator(s) constant
MFT	ACF	0.5-10 VDC	0.5-10 VDC	stop	actuator(s) constant
MFT	ACG	4-20 mA	4-20 mA	stop	actuator(s) constant
MFT	ACH	4-20 mA	2-10 VDC	stop	actuator(s) constant
MFT	ACJ	2-10 VDC	2-10 VDC	open	actuator(s) constant
MFT	ACK	0.5-10 VDC	0.5-10 VDC	open	actuator(s) constant
MFT	ACL	4-20 mA	4-20 mA	open	actuator(s) constant
MFT	ACM	4-20 mA	2-10 VDC	open	actuator(s) constant
MFT	ACN	2-10 VDC	2-10 VDC	close	actuator(s) constant
MFT	ACP	0.5-10 VDC	0.5-10 VDC	close	actuator(s) constant
MFT	ACR	4-20 mA	4-20 mA	close	actuator(s) constant
MFT	ACS	4-20 mA	2-10 VDC	close	actuator(s) constant

All other configurations carry a \$34.00 list price.

Standard delivery may vary, please consult your customer service representative for the latest lead time(s).





Valve Body Model	Valve Configuration	Size	Fail-Safe	Close-Off psi	Belimo Actuator Series	Belimo Linkage
HS Series Butterfly Valves*	2-way	2"	No	200	AM	UFLK3900
			Yes	200	SY2	UFLK3918
		2½"	No	200	AF	UFLK3930
			Yes	200	AM	UFLK3900
		3"	No	200	SY2	UFLK3918
			Yes	200	2*AF	UFLK3936
			No	200	GM	UFLK3900
		4"	No	200	SY2	UFLK3918
			Yes	200	2*AF	UFLK3936
		5"	No	200	GK	UFLK3900
			Yes	200	2*GM	UFLK3908
		6"	No	200	SY2	UFLK3920
			Yes	200	2*GK	UFLK3908
		8"	No	200	SY2	UFLK3922
		10"	No	200	SY3	UFLK3922
		12"	No	200	SY4	UFLK3970
		14"	No	150	SY4	UFLK3970
		16"	No	150	SY5	UFLK3928
	18"	No	150	SY6	UFLK3928	
	20"	No	150	SY8	UFLK3976	
	24"	No	150	SY8	UFLK3978	
	3-way	2"	No	200	SY8	UFLK3978
			Yes	200	UFLK3980	
		2½"	No	200	SY11	UFLK3982
			Yes	200	AM	UFLK6900
		3"	No	200	SY2	UFLK6910
			Yes	200	AF	UFLK6950
		4"	No	200	2*GM	UFLK6902
			Yes	200	SY2	UFLK6910
		5"	No	200	2*AF	UFLK6952
			Yes	200	2*GM	UFLK6902
		6"	No	200	SY2	UFLK6910
Yes			200	2*GK	UFLK6902	
8"		No	200	SY2	UFLK6912	
10"		No	200	SY3	UFLK6914	
12"	No	200	SY3	UFLK6914		
14"	No	200	SY4	UFLK6920		
16"	No	200	SY4	UFLK6920		
18"	No	150	SY5	UFLK6922		
20"	No	150	SY6	UFLK7018		
24"	No	150	SY7	UFLK7020		
HSU Series Butterfly Valves*	2-way	2"	No	50	SY8	UFLK7022
			Yes	50	SY9	UFLK7024
		2½"	No	50	SY12	UFLK7026
			Yes	50	AM	UFLK3900
		3"	No	50	SY1	UFLK3912
			Yes	50	SY2	UFLK3918
			No	50	AF	UFLK3930
		4"	No	50	AM	UFLK3900
			Yes	50	SY1	UFLK3912
		5"	No	50	SY2	UFLK3918
			Yes	50	AF	UFLK3930
		6"	No	50	GM	UFLK3900
	Yes		50	SY1	UFLK3912	
	2-way	2"	No	50	SY2	UFLK3918
			Yes	50	2*AF	UFLK3936
		2½"	No	50	GM	UFLK3905
			Yes	50	SY2	UFLK3920
		3"	No	50	2*AF	UFLK3938
			Yes	50	GK	UFLK3905
		4"	No	50	GM	UFLK3905
			Yes	50	SY2	UFLK3922
		5"	No	50	GK	UFLK3905
			Yes	50	2*GM	UFLK3910
		6"	No	50	SY2	UFLK3922
Yes			50			

Tech.Doc - 07/14 - Subject to change. © Belimo Aircontrols (USA), Inc.

All close-off pressures listed are approximate and based on valve condition and application.

\*For HD/HDU Series Contact Belimo Technical Support for Details.



Valve Body Model	Valve Configuration	Size	Fail-Safe	Close-Off psi	Belimo Actuator Series	Belimo Linkage
<b>HSU Series Butterfly Valves</b>	2-way	6"	Yes	50	2*GK	UFLK3910
		8"	No	50	SY3	UFLK3924
		10"	No	50	SY3	UFLK3926
		12"	No	50	SY4	UFLK3928
	3-way	2"	No	50	GM	UFLK6900
					SY1	UFLK6908
			Yes	50	SY2	UFLK6910
					AF	UFLK6950
		2½"	No	50	GK	UFLK6900
					GM	UFLK6900
			Yes	50	SY1	UFLK6908
					SY2	UFLK6910
		3"	No	50	2*AF	UFLK6952
					GM	UFLK6900
			Yes	50	SY2	UFLK6910
					GK	UFLK6900
		4"	No	50	2*GM	UFLK6904
			Yes	50	SY2	UFLK6912
5"	No	50	2*GK	UFLK6904		
	Yes	50	2*GM	UFLK6906		
6"	No	50	SY2	UFLK6914		
	Yes	50	2*GK	UFLK6906		
8"	No	50	SY3	UFLK6919		
10"	No	50	SY4	UFLK6920		
12"	No	50	SY4	UFLK6922		
<b>BRAY</b>						
<b>30/31 Series Butterfly Valves</b>	2-way	2"	No	175	AM	UFLK1100
			SY1	UFLK1130		
		Yes	175	SY2	UFLK1132	
				2*AF	UFLK1102	
		2½"	No	175	GM	UFLK1100
					SY1	UFLK1130
			Yes	175	SY2	UFLK1132
					2*AF	UFLK1102
		3"	No	175	GK	UFLK1100
			Yes	175	2*GM	UFLK1102
		4"	No	175	SY2	UFLK1132
					2*GK	UFLK1102
	Yes		175	2*GM	UFLK1108	
				SY2	UFLK1134	
	5"	No	175	2*GK	UFLK1108	
	6"	No	175	SY3	UFLK1136	
	8"	No	175	SY3	UFLK1136	
	10"	No	175	SY4	UFLK1138	
	12"	No	175	SY4	UFLK1140	
	14"	No	175	SY6	UFLK1142	
	16"	No	175	SY7	UFLK1144	
	18"	No	175	SY8	UFLK1144	
	20"	No	175	SY9	UFLK1146	
	3-way	2"	No	200	SY10	UFLK1146
Yes			200	SY1	UFLK4130	
2½"		No	200	SY2	UFLK4132	
		Yes	200	2*AF	UFLK4102	
3"		No	200	2*GM	UFLK4102	
		Yes	200	SY2	UFLK4132	
4"		No	200	2*GK	UFLK4102	
		Yes	200	2*GM	UFLK4102	
5"		No	200	SY2	UFLK4132	
		No	200	2*GK	UFLK4102	
		No	200	SY3	UFLK4134	
		No	200	SY4	UFLK4136	

All close-off pressures listed are approximate and based on valve condition and application.

\*For HD/HDU Series Contact Belimo Technical Support for Details.



Valve Body Model	Valve Configuration	Size	Fail-Safe	Close-Off psi	Belimo Actuator Series	Belimo Linkage	
30/31 Series Butterfly Valves	3-way	6"	No	200	SY4	UFLK4136	
		8"	No	200	SY5	UFLK4138	
		10"	No	200	SY6	UFLK4140	
		12"	No	200	SY7	UFLK4142	
		14"	No	150	SY8	UFLK4144	
		16"	No	150	SY9	UFLK4146	
		18"	No	150	SY11	UFLK4148	
		20"	No	150	SY12	UFLK4148	
40/41 Series Butterfly Valves	2-way	2½"	No	285	2*GM	UFLK1200	
			Yes	285	SY2	UFLK1224	
		3"	No	285	2*GM	UFLK1200	
			Yes	285	SY2	UFLK1224	
		4"	No	285	2*GM	UFLK1200	
			Yes	285	SY2	UFLK1224	
		5"	No	285	2*GK	UFLK1200	
		6"	No	285	SY3	UFLK1226	
		8"	No	285	SY4	UFLK1228	
		10"	No	285	SY4	UFLK1230	
		12"	No	285	SY6	UFLK1232	
		14"	No	285	SY7	UFLK1234	
		16"	No	285	SY8	UFLK1236	
		18"	No	285	SY9	UFLK1238	
	20"	No	285	SY11	UFLK1240		
			20"	No	285	SY12	UFLK1242
	3-way	2½"	No	285	2*GM	UFLK4200	
			Yes	285	SY2	UFLK4222	
		3"	No	285	2*GK	UFLK4200	
			Yes	285	2*GM	UFLK4200	
		4"	No	285	SY2	UFLK4222	
		5"	No	285	2*GK	UFLK4200	
		6"	No	285	SY3	UFLK4222	
		8"	No	285	SY4	UFLK4224	
		10"	No	285	SY5	UFLK4226	
		12"	No	285	SY7	UFLK4228	
		14"	No	285	SY8	UFLK4230	
		16"	No	285	SY10	UFLK4232	
			16"	No	285	SY12	UFLK4234
<b>CENTERLINE</b>							
C200 Round Top Series Butterfly Valves	2-way	2"	No	200	AM	UFLK3500	
			Yes	200	SY1	UFLK3538	
		2½"	No	200	SY2	UFLK3540	
			Yes	200	AF	UFLK3500	
			No	200	GM	UFLK3500	
			Yes	200	SY1	UFLK3538	
		3"	No	200	SY2	UFLK3540	
			Yes	200	2*AF	UFLK3502	
			No	200	GK	UFLK3500	
			Yes	200	GM	UFLK3500	
		4"	No	200	SY1	UFLK3538	
			Yes	200	SY2	UFLK3540	
		5"	No	200	2*AF	UFLK3502	
			Yes	200	GK	UFLK3500	
		6"	No	200	2*GM	UFLK3508	
			Yes	200	SY2	UFLK3542	
		8"	No	200	2*GK	UFLK3508	
			Yes	200	SY2	UFLK3544	
		10"	No	200	SY3	UFLK3544	
			Yes	200	SY4	UFLK3546	
		12"	No	200	SY4	UFLK3548	
			Yes	200	SY5	UFLK3550	
14"	No	150	SY5	UFLK3550			
	Yes	150	SY7	UFLK3552			
16"	No	150	SY7	UFLK3552			
	Yes	150	SY8	UFLK3554			

Tech.Doc - 07/14 - Subject to change. © Belimo Aircontrols (USA), Inc.

All close-off pressures listed are approximate and based on valve condition and application.

# Centerline

## C200 Round Top, C200 Square Top Series Butterfly Valves

### Linkage/Actuator Selection Guide



Valve Body Model	Valve Configuration	Size	Fail-Safe	Close-Off psi	Belimo Actuator Series	Belimo Linkage
C200 Round Top Series Butterfly Valves	2-way	20"	No	150	SY8	UFLK3556
		24"	No	150	SY10	UFLK3558
	3-way	2"	No	200	AM	UFLK6500
					SY1	UFLK6536
		Yes	200	2*AF	UFLK6502	
				GM	UFLK6500	
		2½"	No	200	SY1	UFLK6536
					SY2	UFLK6538
		Yes	200	2*AF	UFLK6502	
				GK	UFLK6500	
		3"	No	200	2*GM	UFLK6502
					SY1	UFLK6536
	Yes	200	2*GK	UFLK6502		
			2*GM	UFLK6508		
	4"	No	200	SY2	UFLK6540	
				2*GK	UFLK6508	
	Yes	200	SY3	UFLK6542		
			SY4	UFLK6544		
	5"	No	200	SY4	UFLK6546	
				SY5	UFLK6548	
6"	No	200	SY7	UFLK6550		
			SY7	UFLK6550		
8"	No	200	SY8	UFLK6552		
			SY9	UFLK6554		
10"	No	200	SY10	UFLK6556		
			AM	UFLK1300		
C200 Square Top Series Butterfly Valves	2-way	2"	No	200	SY1	UFLK1338
					SY2	UFLK1340
		Yes	200	AF	UFLK1300	
				GM	UFLK1300	
		2½"	No	200	SY1	UFLK1338
					SY2	UFLK1340
		Yes	200	2*AF	UFLK1302	
				GK	UFLK1300	
		3"	No	200	GM	UFLK1300
					SY1	UFLK1338
	Yes	200	2*AF	UFLK1302		
			GK	UFLK1300		
	4"	No	200	2*GM	UFLK1308	
				SY2	UFLK1342	
	Yes	200	2*GK	UFLK1308		
			SY2	UFLK1344		
	5"	No	200	SY3	UFLK1344	
				SY4	UFLK1346	
	6"	No	200	SY4	UFLK1348	
				SY5	UFLK1350	
8"	No	200	SY5	UFLK1350		
			SY7	UFLK1352		
10"	No	200	SY8	UFLK1354		
			SY8	UFLK1356		
12"	No	200	SY10	UFLK1358		
			AM	UFLK4300		
3-way	2"	No	200	SY1	UFLK4338	
				SY2	UFLK4340	
	Yes	200	2*AF	UFLK4302		
			GM	UFLK4300		
	2½"	No	200	SY2	UFLK4340	
				2*AF	UFLK4302	
	Yes	200	GK	UFLK4300		
			2*GM	UFLK4302		
	3"	No	200	SY2	UFLK4340	
				2*GK	UFLK4302	

All close-off pressures listed are approximate and based on valve condition and application.

Tech.Doc - 07/14 - Subject to change. © Belimo Aircontrols (USA), Inc.



**Centerline**  
**C200 Square Top, C225 Square Top Series Butterfly Valves**  
**Linkage/Actuator Selection Guide**

**Flowseal**  
**1L/W Series Butterfly Valves**  
**Linkage/Actuator Selection Guide**

Valve Body Model	Valve Configuration	Size	Fail-Safe	Close-Off psi	Belimo Actuator Series	Belimo Linkage
C200 Square Top Series Butterfly Valves	3-way	4"	No	200	2*GM	UFLK4308
			Yes	200	2*GK	UFLK4308
		5"	No	200	SY3	UFLK4344
		6"	No	200	SY4	UFLK4346
		8"	No	200	SY4	UFLK4348
		10"	No	200	SY5	UFLK4350
		12"	No	200	SY7	UFLK4352
		14"	No	150	SY7	UFLK4352
		16"	No	150	SY8	UFLK4354
		18"	No	150	SY9	UFLK4356
20"	No	150	SY10	UFLK4358		
C225 Square Top Series Butterfly Valves	2-way	2"	No	285	GM	UFLK1400
			Yes	285	SY1	UFLK1436
			Yes	285	SY2	UFLK1438
		2½"	No	285	GM	UFLK1400
			Yes	285	SY1	UFLK1436
			Yes	285	SY2	UFLK1438
		3"	No	285	GM	UFLK1400
			Yes	285	SY1	UFLK1436
			Yes	285	SY2	UFLK1438
		4"	No	285	2*GM	UFLK1408
			Yes	285	2*GK	UFLK1440
			Yes	285	2*GK	UFLK1408
		5"	No	285	SY2	UFLK1442
		6"	No	285	SY4	UFLK1444
		8"	No	285	SY4	UFLK1446
		10"	No	285	SY5	UFLK1448
		12"	No	285	SY6	UFLK1450
		14"	No	285	SY7	UFLK1452
	16"	No	285	SY9	UFLK1454	
	18"	No	285	SY10	UFLK1456	
	20"	No	285	SY10	UFLK1458	
	3-way	2"	No	285	GM	UFLK4400
			Yes	285	SY1	UFLK4436
			Yes	285	SY2	UFLK4438
		2½"	No	285	GM	UFLK4400
			Yes	285	GK	UFLK4400
		3"	No	285	2*GM	UFLK4402
			Yes	285	SY2	UFLK4438
			Yes	285	2*GK	UFLK4402
		4"	No	285	SY3	UFLK4440
5"		No	285	SY3	UFLK4442	
6"		No	285	SY4	UFLK4444	
8"		No	285	SY5	UFLK4446	
10"	No	285	SY7	UFLK4448		
12"	No	285	SY8	UFLK4450		
14"	No	285	SY8	UFLK4452		
16"	No	285	SY12	UFLK4454		
<b>FLOWSEAL</b>						
1L/W Series Butterfly Valves	2-way	2"	No	285	GM	UFLK1700
			Yes	285	SY1	UFLK1734
			Yes	285	SY2	UFLK1736
		2½"	No	285	2*AF	UFLK1702
			Yes	285	GK	UFLK1700
			Yes	285	2*GM	UFLK1702
				SY2	UFLK1736	
				2*GK	UFLK1702	

Tech.Doc - 07/14 - Subject to change. © Belimo Aircontrols (USA), Inc.

All close-off pressures listed are approximate and based on valve condition and application.



Valve Body Model	Valve Configuration	Size	Fail-Safe	Close-Off psi	Belimo Actuator Series	Belimo Linkage	
1L/W Series Butterfly Valves	2-way	3"	No	285	2*GM	UFLK1708	
					GM	UFLK1709	
					SY2	UFLK1738	
		Yes	285	2*GK	UFLK1708		
				GK	UFLK1709		
				2*GM	UFLK1708		
		No	285	285	GM	UFLK1709	
					SY2	UFLK1738	
					2*GK	UFLK1708	
		Yes	285	285	GK	UFLK1709	
					SY3	UFLK1740	
					SY3	UFLK1740	
		8"	No	285	SY4	UFLK1742	
		10"	No	285	SY4	UFLK1744	
	12"	No	285	SY6	UFLK1746		
	14"	No	285	SY6	UFLK1746		
	16"	No	285	SY7	UFLK1748		
	18"	No	285	SY9	UFLK1750		
	20"	No	285	SY9	UFLK1752		
	3-way	2"	No	285	GM	UFLK4700	
					SY2	UFLK4734	
			Yes	285	2*AF	UFLK4702	
					GK	UFLK4700	
		2½"	No	285	2*GM	UFLK4702	
					SY2	UFLK4734	
		Yes	285	285	2*GK	UFLK4702	
					2*GM	UFLK4708	
		3"	No	285	SY2	UFLK4736	
					2*GK	UFLK4708	
		4"	No	285	SY3	UFLK4736	
		5"	No	285	SY4	UFLK4738	
		6"	No	285	SY4	UFLK4738	
8"		No	285	SY4	UFLK4740		
10"		No	285	SY6	UFLK4742		
12"		No	285	SY7	UFLK4744		
14"		No	285	SY8	UFLK4744		
16"		No	285	SY9	UFLK4746		
18"		No	285	SY11	UFLK4748		
20"		No	285	SY12	UFLK4750		
3L/W Series Butterfly Valves	2-way	2"	No	780	SY3	UFLK1828	
		2½"	No	780	SY3	UFLK1828	
		3"	No	780	SY3	UFLK1830	
		4"	No	780	SY4	UFLK1832	
		5"	No	780	SY4	UFLK1834	
		6"	No	780	SY4	UFLK1836	
		8"	No	780	SY7	UFLK1838	
		10"	No	780	SY7	UFLK1840	
		12"	No	780	SY9	UFLK1842	
		14"	No	780	SY9	UFLK1844	
		3-way	2"	No	780	SY3	UFLK4828
			2½"	No	780	SY3	UFLK4828
			3"	No	780	SY3	UFLK4844
			4"	No	780	SY4	UFLK4830
	5"		No	780	SY4	UFLK4832	
	6"		No	780	SY4	UFLK4834	
	8"	No	780	SY8	UFLK4836		
	10"	No	780	SY8	UFLK4838		
	12"	No	780	SY12	UFLK4840		
	14"	No	780	SY12	UFLK4842		
<b>JOHNSON CONTROLS</b>							
VF.. (H) Series Butterfly Valves	2-way	2"	No	175	GM	UFLK2100	
					SY1	UFLK2136	
					SY2	UFLK2138	
			Yes	175	2*AF	UFLK2102	
					GK	UFLK2100	

All close-off pressures listed are approximate and based on valve condition and application.





Valve Body Model	Valve Configuration	Size	Fail-Safe	Close-Off psi	Belimo Actuator Series	Belimo Linkage
VF.. (H) Series Butterfly Valves	2-way	2½"	No	175	GM	UFLK2100
						SY1
					SY2	UFLK2138
		Yes	175	2*AF	UFLK2102	
				GK	UFLK2100	
		No	175	GM	UFLK2100	
				SY1	UFLK2136	
				SY2	UFLK2138	
		Yes	175	2*AF	UFLK2102	
				GK	UFLK2100	
		No	175	2*GM	UFLK2108	
				SY2	UFLK2140	
		Yes	175	2*GK	UFLK2108	
		No	175	SY3	UFLK2142	
		No	175	SY4	UFLK2144	
	No	175	SY4	UFLK2158		
	No	175	SY5	UFLK2146		
	No	175	SY7	UFLK2148		
	No	150	SY7	UFLK2156		
	No	150	SY9	UFLK2150		
	No	150	SY10	UFLK2152		
	No	150	SY10	UFLK2154		
	3-way	2"	No	175	GM	UFLK5100
					SY1	UFLK5130
				SY2	UFLK5132	
		Yes	175	2*AF	UFLK5102	
				GK	UFLK5100	
		No	175	2*GM	UFLK5102	
				SY2	UFLK5132	
		Yes	175	2*GK	UFLK5102	
No		175	2*GM	UFLK5102		
			SY2	UFLK5132		
Yes		175	2*GK	UFLK5102		
No		175	SY3	UFLK5134		
No		175	SY4	UFLK5136		
No		175	SY4	UFLK5136		
No	175	SY5	UFLK5138			
No	175	SY6	UFLK5140			
No	175	SY7	UFLK5142			
No	150	SY8	UFLK5144			
No	150	SY9	UFLK5146			
No	150	SY11	UFLK5148			
No	150	SY12	UFLK5150			
<b>KEYSTONE</b>						
360/362 Series Butterfly Valves, K-LOK	2-way	2½"	No	285	GM	UFLK2400
					SY1	UFLK2440
				SY2	UFLK2442	
		Yes	285	2*AF	UFLK2402	
				GK	UFLK2400	
		No	285	2*GM	UFLK2408	
				SY2	UFLK2444	
		Yes	285	2*GK	UFLK2408	
		No	285	2*GM	UFLK2414	
				SY2	UFLK2446	
		Yes	285	2*GK	UFLK2414	
		No	285	SY2	UFLK2446	
		No	285	SY3	UFLK2448	
		No	285	SY3	UFLK2450	
		No	285	SY4	UFLK2452	
		No	285	SY4	UFLK2454	
No	285	SY6	UFLK2456			
No	285	SY6	UFLK2458			
No	285	SY7	UFLK2460			
No	285	SY9	UFLK2462			
No	285	SY9	UFLK2464			

Tech.Doc - 07/14 - Subject to change. © Belimo Aircontrols (USA), Inc.

All close-off pressures listed are approximate and based on valve condition and application.



Valve Body Model	Valve Configuration	Size	Fail-Safe	Close-Off psi	Belimo Actuator Series	Belimo Linkage
360/362 Series Butterfly Valves, K-LOK	3-way	2½"	No	285	GM	UFLK5400
			Yes	285	SY2	UFLK5440
		3"	No	285	2*AF	UFLK5402
			Yes	285	GK	UFLK5400
		4"	No	285	2*GM	UFLK5408
			Yes	285	SY2	UFLK5442
		5"	No	285	2*GK	UFLK5408
			Yes	285	2*GM	UFLK5414
		6"	No	285	SY2	UFLK5444
		8"	No	285	2*GK	UFLK5414
		10"	No	285	SY3	UFLK5444
		12"	No	285	SY4	UFLK5446
		14"	No	285	SY4	UFLK5448
		16"	No	285	SY4	UFLK5450
		18"	No	285	SY6	UFLK5452
20"	No	285	SY7	UFLK5454		
24"	No	285	SY8	UFLK5456		
370/372 Series Butterfly Valves, K-LOK	2-way	2½"	No	600	SY9	UFLK5458
		3"	No	600	SY11	UFLK5460
		4"	No	600	SY12	UFLK5462
		5"	No	600	SY3	UFLK2526
		6"	No	600	SY3	UFLK2528
		8"	No	600	SY4	UFLK2530
		10"	No	600	SY4	UFLK2530
	3-way	12"	No	600	SY4	UFLK2532
		14"	No	600	SY7	UFLK2534
		2½"	No	600	SY7	UFLK2536
		3"	No	600	SY9	UFLK2538
		4"	No	600	SY9	UFLK2538
		5"	No	600	SY9	UFLK2540
		6"	No	600	SY4	UFLK5526
		8"	No	600	SY4	UFLK5528
AR1/AR2 Series Butterfly Valves	2-way	2"	No	175	SY4	UFLK5530
			Yes	175	SY4	UFLK5530
		2½"	No	175	SY8	UFLK5534
			Yes	175	SY8	UFLK5536
		3"	No	175	SY12	UFLK5538
			Yes	175	SY12	UFLK5540
		4"	No	175	GM	UFLK2300
			Yes	175	SY1	UFLK2334
		5"	No	175	SY2	UFLK2336
		6"	No	175	2*AF	UFLK2302
		8"	No	175	GK	UFLK2300
		10"	No	175	GM	UFLK2300
		12"	No	175	SY1	UFLK2334
		14"	No	175	SY2	UFLK2336
		16"	No	175	2*AF	UFLK2302
18"	No	175	GK	UFLK2300		
20"	No	175	GM	UFLK2300		
24"	No	150	SY1	UFLK2334		
			SY2	UFLK2336		
			2*AF	UFLK2302		
			GK	UFLK2300		
			GM	UFLK2300		
			SY1	UFLK2334		
			SY2	UFLK2336		
			2*AF	UFLK2302		
			GK	UFLK2300		
			GM	UFLK2300		
			SY1	UFLK2334		
			SY2	UFLK2336		
			2*AF	UFLK2302		
			GK	UFLK2300		
			GM	UFLK2300		
			SY1	UFLK2334		
			SY2	UFLK2336		
			2*AF	UFLK2302		
			GK	UFLK2300		
			GM	UFLK2300		
			SY1	UFLK2334		
			SY2	UFLK2336		
			2*AF	UFLK2302		
			GK	UFLK2300		
			GM	UFLK2300		
			SY1	UFLK2334		
			SY2	UFLK2336		
			2*AF	UFLK2302		
			GK	UFLK2300		
			GM	UFLK2300		
			SY1	UFLK2334		
			SY2	UFLK2336		
			2*AF	UFLK2302		
			GK	UFLK2300		
			GM	UFLK2300		
			SY1	UFLK2334		
			SY2	UFLK2336		
			2*AF	UFLK2302		
			GK	UFLK2300		
			GM	UFLK2300		
			SY1	UFLK2334		
			SY2	UFLK2336		
			2*AF	UFLK2302		
			GK	UFLK2300		
			GM	UFLK2300		
			SY1	UFLK2334		
			SY2	UFLK2336		
			2*AF	UFLK2302		
			GK	UFLK2300		
			GM	UFLK2300		
			SY1	UFLK2334		
			SY2	UFLK2336		
			2*AF	UFLK2302		
			GK	UFLK2300		
			GM	UFLK2300		
			SY1	UFLK2334		
			SY2	UFLK2336		
			2*AF	UFLK2302		
			GK	UFLK2300		
			GM	UFLK2300		
			SY1	UFLK2334		
			SY2	UFLK2336		
			2*AF	UFLK2302		
			GK	UFLK2300		
			GM	UFLK2300		
			SY1	UFLK2334		
			SY2	UFLK2336		
			2*AF	UFLK2302		
			GK	UFLK2300		
			GM	UFLK2300		
			SY1	UFLK2334		
			SY2	UFLK2336		
			2*AF	UFLK2302		
			GK	UFLK2300		
			GM	UFLK2300		
			SY1	UFLK2334		
			SY2	UFLK2336		
			2*AF	UFLK2302		
			GK	UFLK2300		
			GM	UFLK2300		
			SY1	UFLK2334		
			SY2	UFLK2336		
			2*AF	UFLK2302		
			GK	UFLK2300		
			GM	UFLK2300		
			SY1	UFLK2334		
			SY2	UFLK2336		
			2*AF	UFLK2302		
			GK	UFLK2300		
			GM	UFLK2300		
			SY1	UFLK2334		
			SY2	UFLK2336		
			2*AF	UFLK2302		
			GK	UFLK2300		
			GM	UFLK2300		
			SY1	UFLK2334		
			SY2	UFLK2336		
			2*AF	UFLK2302		
			GK	UFLK2300		
			GM	UFLK2300		
			SY1	UFLK2334		
			SY2	UFLK2336		
			2*AF	UFLK2302		
			GK	UFLK2300		
			GM	UFLK2300		
			SY1	UFLK2334		
			SY2	UFLK2336		
			2*AF	UFLK2302		
			GK	UFLK2300		
			GM	UFLK2300		
			SY1	UFLK2334		
			SY2	UFLK2336		
			2*AF	UFLK2302		
			GK	UFLK2300		
			GM	UFLK2300		
			SY1	UFLK2334		
			SY2	UFLK2336		
			2*AF	UFLK2302		
			GK	UFLK2300		
			GM	UFLK2300		
			SY1	UFLK2334		
			SY2	UFLK2336		
			2*AF	UFLK2302		
			GK	UFLK2300		
			GM	UFLK2300		
			SY1	UFLK2334		
			SY2	UFLK2336		
			2*AF	UFLK2302		
			GK	UFLK2300		
			GM	UFLK2300		
			SY1	UFLK2334		
			SY2	UFLK2336		
			2*AF	UFLK2302		
			GK	UFLK2300		
			GM	UFLK2300		
			SY1	UFLK2334		
			SY2	UFLK2336		
			2*AF	UFLK2302		
			GK	UFLK2300		
			GM	UFLK2300		
			SY1	UFLK2334		
			SY2	UFLK2336		
			2*AF	UFLK2302		
			GK	UFLK2300		
			GM	UFLK2300		
			SY1	UFLK2334		
			SY2	UFLK2336		
			2*AF	UFLK2302		
			GK	UFLK2300		
			GM	UFLK2300		
			SY1	UFLK2334		
			SY2	UFLK2336		
			2*AF	UFLK2302		
			GK	UFLK2300		
			GM	UFLK2300		
			SY1	UFLK2334		
			SY2	UFLK2336		
			2*AF	UFLK2302		
			GK	UFLK2300		
			GM	UFLK2300		
			SY1	UFLK2334		
			SY2	UFLK2336		
			2*AF	UFLK2302		
			GK	UFLK2300		
			GM	UFLK2300		
			SY1	UFLK2334		
			SY2	UFLK2336		
			2*AF	UFLK2302		
			GK	UFLK2300		
			GM	UFLK2300		
			SY1	UFLK2334		
			SY2	UFLK2336		
			2*AF	UFLK2302		
			GK	UFLK2300		
			GM	UFLK2300		
			SY1	UFLK2334		
			SY2	UFLK2336		
			2*AF	UFLK2302		
			GK	UFLK2300		
			GM	UFLK2300		
			SY1	UFLK2334		
			SY2	UFLK2336		
			2*AF	UFLK2302		
			GK	UFLK2300		
			GM	UFLK2300		
			SY1	UFLK2334		
			SY2	UFLK2336		
			2*AF	UFLK2302		
			GK	UFLK2300		
			GM	UFLK2300		
			SY1	UFLK2334		
			SY2	UFLK2336		
			2*AF	UFLK2302		
			GK	UFLK2300		
			GM	UFLK2300		
			SY1	UFLK2334		
			SY2	UFLK2336		
			2*AF	UFLK2302		
			GK	UFLK2300		
			GM	UFLK2300		
			SY1	UFLK2334		
			SY2	UFLK2336		
			2*AF	UFLK2302		
			GK	UFLK2300		
			GM	UFLK2300		
			SY1	UFLK2334		
			SY2	UFLK2336		
			2*AF	UFLK2302		
			GK	UFLK2300		
			GM	UFLK2300		
			SY1	UFLK2334		
			SY2	UFLK2336		
			2*AF	UFLK2302		
			GK	UFLK2300		
			GM	UFLK2300		
			SY1	UFLK2334		
			SY2	UFLK2336		
			2*AF	UFLK2302		
			GK	UFLK2300		
			GM	UFLK2300		
			SY1	UFLK2334		
			SY2	UFLK2336		



# Keystone

AR1/AR2, Figure 222/221 Series Butterfly Valves  
Linkage/Actuator Selection Guide

# Milwaukee

CL Series Butterfly Valves  
Linkage/Actuator Selection Guide

Valve Body Model	Valve Configuration	Size	Fail-Safe	Close-Off psi	Belimo Actuator Series	Belimo Linkage
AR1/AR2 Series Butterfly Valves	3-way	2"	No	175	GM	UFLK5300
			Yes	175	2*AF	UFLK5302
		2½"	No	175	GM	UFLK5300
			Yes	175	2*AF	UFLK5302
		3"	No	175	2*GM	UFLK5302
			Yes	175	2*GK	UFLK5302
		4"	No	175	SY3	UFLK5336
		5"	No	175	SY4	UFLK5338
		6"	No	175	SY4	UFLK5338
		8"	No	175	SY5	UFLK5340
		10"	No	175	SY7	UFLK5342
		12"	No	175	SY8	UFLK5344
		14"	No	150	SY9	UFLK5346
		16"	No	150	SY10	UFLK5348
		18"	No	150	SY12	UFLK5350
Figure 222 Series Butterfly Valves	2-way	2"	No	200	GM	UFLK2200
			Yes	200	2*AF	UFLK2202
		2½"	No	200	GM	UFLK2200
			Yes	200	2*AF	UFLK2202
		3"	No	200	GM	UFLK2200
			Yes	200	2*AF	UFLK2202
		4"	No	200	2*GM	UFLK2208
			Yes	200	2*GK	UFLK2208
		5"	No	200	SY3	UFLK2230
		6"	No	200	SY4	UFLK2232
		8"	No	200	SY4	UFLK2234
		10"	No	200	SY5	UFLK2236
	12"	No	200	SY7	UFLK2238	
	3-way	2"	No	200	GM	UFLK5200
			Yes	200	2*AF	UFLK5202
		2½"	No	200	GM	UFLK5200
			Yes	200	2*AF	UFLK5202
		3"	No	200	2*GM	UFLK5202
			Yes	200	2*GK	UFLK5202
		4"	No	200	SY3	UFLK5226
		5"	No	200	SY4	UFLK5228
		6"	No	200	SY4	UFLK5228
		8"	No	200	SY5	UFLK5230
		10"	No	200	SY7	UFLK5232
12"		No	200	SY8	UFLK5234	
MILWAUKEE	2-way	2"	No	150	AM	UFLK2600
			Yes	150	SY1	UFLK2624
			Yes	150	SY2	UFLK2628
			Yes	150	AF	UFLK2600
			Yes	150	AF	UFLK2600

Tech.Doc - 07/14 - Subject to change. © Belimo Aircontrols (USA), Inc.

All close-off pressures listed are approximate and based on valve condition and application.



Valve Body Model	Valve Configuration	Size	Fail-Safe	Close-Off psi	Belimo Actuator Series	Belimo Linkage
CL Series Butterfly Valves	2-way	2½"	No	150	AM	UFLK2600
			Yes		SY1	UFLK2624
		3"	No	150	SY2	UFLK2628
					Yes	AF
			No	150	GM	UFLK2600
					SY1	UFLK2624
			Yes	150	SY2	UFLK2628
					2*AF	UFLK2602
		4"	No	150	GK	UFLK2600
					2*GM	UFLK2608
		Yes	150	150	SY2	UFLK2630
					2*GK	UFLK2608
	5"	No	150	2*GM	UFLK2608	
				Yes	150	SY2
	6"	No	150	2*GK	UFLK2608	
				8"	No	150
	10"	No	150	SY4	UFLK2634	
				12"	No	150
	12"	No	150	SY5	UFLK2636	
				2"	No	150
	Yes	150	SY1			
	2½"	No	150		SY2	UFLK5624
				Yes	150	2*AF
		3"	No	150	GM	UFLK5600
	Yes				150	SY1
	4"		No	150	SY2	UFLK5624
		Yes			150	2*AF
		5"	No	150	GK	UFLK5600
	Yes				150	GM
	6"		No	150	SY2	UFLK5624
		Yes			150	2*AF
		8"	No	150	GK	UFLK5600
Yes	150				2*GM	UFLK5608
10"	No		150	SY2	UFLK5626	
		Yes		150	2*GK	UFLK5608
	12"	No	150	SY3	UFLK5626	
Yes				150	SY4	UFLK5628
12"		No	150	SY4	UFLK5630	
	Yes			150	SY6	UFLK5632
	12"	No	150	SY7	UFLK5634	
Yes				150	SY7	UFLK5634
ML Series Butterfly Valves		2-way	2"	No	150	AM
	Yes					150
	2½"		No	150	SY2	UFLK2734
					Yes	150
	3"		No	150	AM	UFLK2700
					Yes	150
	4"		No	150	SY2	UFLK2734
					Yes	150
	5"		No	150	GK	UFLK2700
					Yes	150
	6"		No	150	SY2	UFLK2736
					Yes	150
	8"		No	150	2*GM	UFLK2708
					Yes	150
	10"		No	150	2*GK	UFLK2708
					Yes	150
	12"		No	150	SY4	UFLK2740
					Yes	150
	14"		No	150	SY5	UFLK2742
					Yes	150
	16"		No	150	SY7	UFLK2744
					Yes	150
	18"		No	150	SY8	UFLK2746

All close-off pressures listed are approximate and based on valve condition and application.



Valve Body Model	Valve Configuration	Size	Fail-Safe	Close-Off psi	Belimo Actuator Series	Belimo Linkage
<b>ML Series Butterfly Valves</b>	2-way	20"	No	150	SY9	UFLK2748
		24"	No	150	SY10	UFLK2750
	3-way	2"	No	150	AM	UFLK5700
					SY1	UFLK5732
		Yes	150	2*AF	UFLK5702	
				AM	UFLK5700	
		2½"	No	150	SY1	UFLK5732
					SY2	UFLK5734
		Yes	150	2*AF	UFLK5702	
					GM	UFLK5700
		3"	No	150	SY2	UFLK5734
					2*AF	UFLK5702
		Yes	150	2*AF	UFLK5700	
					2*GM	UFLK5708
		4"	No	150	SY2	UFLK5736
					2*GK	UFLK5708
	Yes	150	2*GK	UFLK5708		
				SY3	UFLK5736	
	5"	No	150	SY3	UFLK5736	
	6"	No	150	SY4	UFLK5738	
8"	No	150	SY4	UFLK5740		
10"	No	150	SY6	UFLK5742		
12"	No	150	SY7	UFLK5744		
14"	No	150	SY8	UFLK5746		
16"	No	150	SY9	UFLK5748		
18"	No	150	SY10	UFLK5750		
20"	No	150	SY11	UFLK5750		
<b>NIBCO</b>						
<b>LD1/WD1 Series Butterfly Valves</b>	2-way	14"	No	150	SY7	UFLK2960
		16"	No	150	SY8	UFLK2968
		18"	No	150	SY8	UFLK2962
		20"	No	150	SY9	UFLK2964
		24"	No	150	SY11	UFLK2966
	3-way	14"	No	150	SY8	UFLK5956
		16"	No	150	SY9	UFLK5958
		18"	No	150	SY10	UFLK5960
		20"	No	150	SY12	UFLK5962
		20"	No	150	SY12	UFLK5962
<b>LD2/WD2, LD3 Series Butterfly Valves</b>	2-way	2"	No	150	GM	UFLK2900
					SY1	UFLK2942
		Yes	150	2*AF	UFLK2902	
				GK	UFLK2900	
		2½"	No	150	GM	UFLK2908
					SY1	UFLK2944
		Yes	150	2*AF	UFLK2910	
					GK	UFLK2908
		3"	No	150	2*GM	UFLK2910
					SY2	UFLK2948
		Yes	150	2*GK	UFLK2910	
					2*GM	UFLK2916
		4"	No	150	SY2	UFLK2950
					2*GK	UFLK2916
	Yes	150	2*GK	UFLK2916		
				SY3	UFLK2952	
	5"	No	150	SY3	UFLK2952	
	6"	No	150	SY4	UFLK2954	
	8"	No	150	SY4	UFLK2956	
	10"	No	150	SY4	UFLK2956	
12"	No	150	SY6	UFLK2958		
3-way	2"	No	150	GM	UFLK5900	
				SY2	UFLK5942	
	Yes	150	2*AF	UFLK5902		
				GK	UFLK5900	
	2½"	No	150	2*GM	UFLK5910	
				SY2	UFLK5944	
Yes	150	2*GK	UFLK5910			
			2*GK	UFLK5910		

Tech.Doc - 07/14 - Subject to change. © Belimo Aircontrols (USA), Inc.

All close-off pressures listed are approximate and based on valve condition and application.



Valve Body Model	Valve Configuration	Size	Fail-Safe	Close-Off psi	Belimo Actuator Series	Belimo Linkage	
LD2/WD2, LD3 Series Butterfly Valves	3-way	3"	No	150	2*GM	UFLK5910	
			Yes	150	2*GK	UFLK5910	
		4"	No	150	SY3	UFLK5946	
			No	150	SY4	UFLK5948	
			No	150	SY4	UFLK5948	
			No	150	SY6	UFLK5950	
			No	150	SY6	UFLK5952	
			No	150	SY8	UFLK5954	
<b>PDC</b>							
27 Series Butterfly Valves (Pinned Shaft Type)	2-way	2"	No	150	GM	UFLK3100	
					SY1	UFLK3122	
					SY2	UFLK3124	
			Yes	150	2*AF	UFLK3102	
		2½"	No	150	2*GM	UFLK3102	
					SY2	UFLK3124	
			Yes	150	2*GK	UFLK3102	
			2*GM	UFLK3102			
		3"	No	150	SY2	UFLK3124	
			Yes	150	2*GK	UFLK3102	
			2*GM	UFLK3108			
			SY2	UFLK3126			
		4"	No	150	2*GK	UFLK3108	
			No	150	SY3	UFLK3128	
			No	150	SY3	UFLK3130	
			No	150	SY4	UFLK3132	
	3-way	2"	No	150	GM	UFLK6100	
					SY2	UFLK6122	
			Yes	150	2*AF	UFLK6102	
					GK	UFLK6100	
		2½"	No	150	2*GM	UFLK6102	
					SY2	UFLK6122	
			Yes	150	2*GK	UFLK6102	
			2*GM	UFLK6102			
3"		No	150	SY2	UFLK6122		
		Yes	150	2*GK	UFLK6102		
		No	150	SY3	UFLK6124		
		No	150	SY4	UFLK6126		
4"	No	150	SY4	UFLK6128			
	No	150	SY4	UFLK6128			
	No	150	SY4	UFLK6130			
	No	150	SY6	UFLK6132			
10"	No	150	SY6	UFLK6132			
	No	150	SY7	UFLK6134			
	<b>VICTAULIC</b>						
	Masterseal (New Style) Series Butterfly Valves	2-way	2"	No	200	AM	UFLK8172
					SY1	UFLK8178	
					SY2	UFLK8180	
Yes				200	2*AF	UFLK8174	
2½"			No	200	GM	UFLK8172	
					SY1	UFLK8178	
					SY2	UFLK8180	
			Yes	200	2*AF	UFLK8174	
3"			No	200	GK	UFLK8172	
					GM	UFLK8172	
			Yes	200	SY2	UFLK8180	
			GK	UFLK8172			
4"			No	200	2*GM	UFLK8176	
					SY2	UFLK8182	
			Yes	200	2*GK	UFLK8176	
			No	200	SY3	UFLK8184	
5"			No	200	SY3	UFLK8184	
			No	200	SY3	UFLK8184	
			No	200	SY4	UFLK8188	
			No	200	SY5	UFLK8190	
10"	No	200	SY5	UFLK8190			
	No	200	SY6	UFLK8190			

All close-off pressures listed are approximate and based on valve condition and application.





Valve Body Model	Valve Configuration	Size	Fail-Safe	Close-Off psi	Belimo Actuator Series	Belimo Linkage	
<b>Masterseal (New Style) Series Butterfly Valves</b>	3-way	2"	No	200	GM	UFLK7400	
						SY1	UFLK7404
						SY2	UFLK7406
		2½"	Yes	200	2*AF	UFLK7402	
						GK	UFLK7400
						2*GM	UFLK7402
						SY2	UFLK7406
						2*GK	UFLK7402
		3"	No	200	SY2	UFLK7406	
		4"	No	200	SY2	UFLK7408	
		5"	No	200	SY3	UFLK7410	
		6"	No	200	SY4	UFLK7412	
8"	No	200	SY4	UFLK7414			
10"	No	200	SY6	UFLK7410			
12"	No	200	SY7	UFLK7418			
<b>Vic300 (Old Style) Series Butterfly Valves</b>	2-way	2"	No	300	AM	UFLK3300	
						SY1	UFLK3338
					SY2	UFLK3342	
		2½"	Yes	300	AF	UFLK3300	
						AM	UFLK3308
		3"	No	300	SY1	UFLK3340	
						SY2	UFLK3344
		4"	Yes	300	AF	UFLK3308	
						GM	UFLK3308
		5"	No	300	SY1	UFLK3340	
						SY2	UFLK3344
		6"	Yes	300	2*AF	UFLK3310	
					GK	UFLK3308	
	8"	No	300	2*GM	UFLK3316		
					SY2	UFLK3346	
	10"	Yes	300	2*GK	UFLK3316		
					SY2	UFLK3348	
	12"	No	300	SY3	UFLK3350		
					SY4	UFLK3352	
	3-way	2"	No	300	SY4	UFLK3354	
						SY4	UFLK3356
		2½"	Yes	300	GM	UFLK6300	
						SY1	UFLK6336
		3"				SY2	UFLK6340
					AF	UFLK6300	
4"		No	300	GK	UFLK6300		
					GM	UFLK6308	
5"		Yes	300	SY1	UFLK6338		
					SY2	UFLK6342	
6"		2*AF	300	2*AF	UFLK6310		
					GK	UFLK6308	
8"	No	300	SY2	UFLK6342			
				SY3	UFLK6344		
10"	No	300	SY3	UFLK6346			
				SY4	UFLK6348		
12"	No	300	SY4	UFLK6350			
				SY5	UFLK6352		
				SY6	UFLK6354		

Tech.Doc - 07/14 - Subject to change. © Belimo Aircontrols (USA), Inc.

All close-off pressures listed are approximate and based on valve condition and application.

# Specialty Solutions for Valve Manufacturers

Belimo offers specialty linkage solutions for the manufacturers in the chart below. Please contact technical support for a quotation.

Valve Company	Butterfly Valve Series	Valve Configuration
Apollo	141/143 Series	2-way
		3-way
Challenger	CH100 Series	2-way
		3-way
Chemtrol	PVC Model C Series	2-way
		3-way
Dezurik	BRS Series	2-way
		3-way
FNW	Figure 1000/2000 Series	2-way
		3-way
Gruvlok	Figure 7700 (Double D Shaft 2003 and Newer) Series	2-way
		3-way
	Figure 7700 (Sheared Pin Shaft Pre 2003) Series	2-way
		3-way
Hammond	61/62 Series	2-way
		3-way
Jamesbury	815 L/W Series	2-way
		3-way
	830 L/W Series	2-way
		3-way
Jenkins	22XXEXJ Series	2-way
		3-way
Metraflex	200 WOG Series	2-way
		3-way
Mueller	65/66 Series	2-way
		3-way
PDC	27 Series (Double D Shaft)	2-way
		3-way
Quartermaster	42/44 Series	2-way
		3-way
Watts	DBF Series (pre 2009)	2-way
		3-way

## Considerations:

- The kits above do not require a completed retrofit form. Only the make and model of the competitor valve is needed.
- Each linkage order is custom made and will take additional time to ship than a stock kit.
- Prices may vary with complexity of kit and material availability.
- Every retrofit solution is available in 2-way and 3-way configurations for both SY and damper style actuators.

